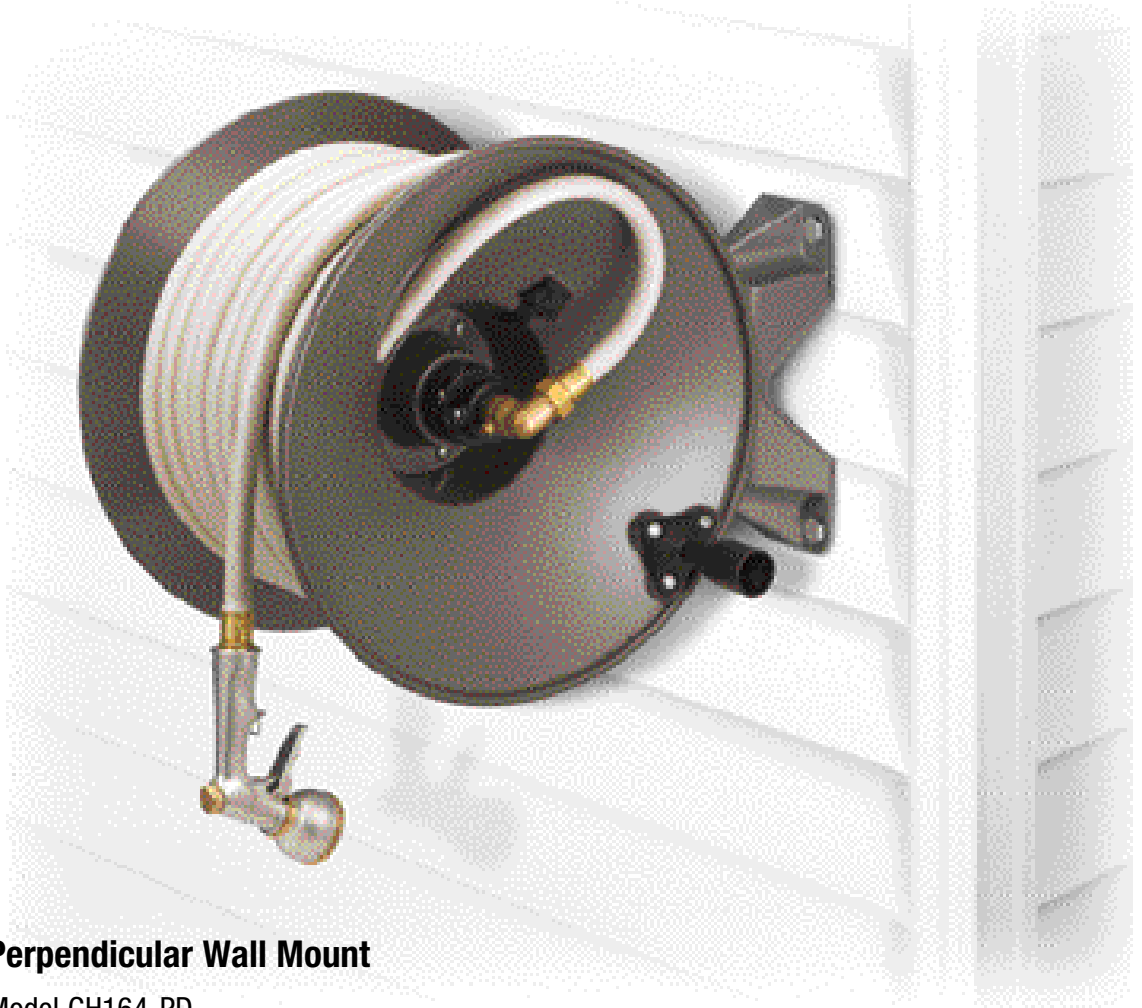


**RapidReel®**

# TRITON

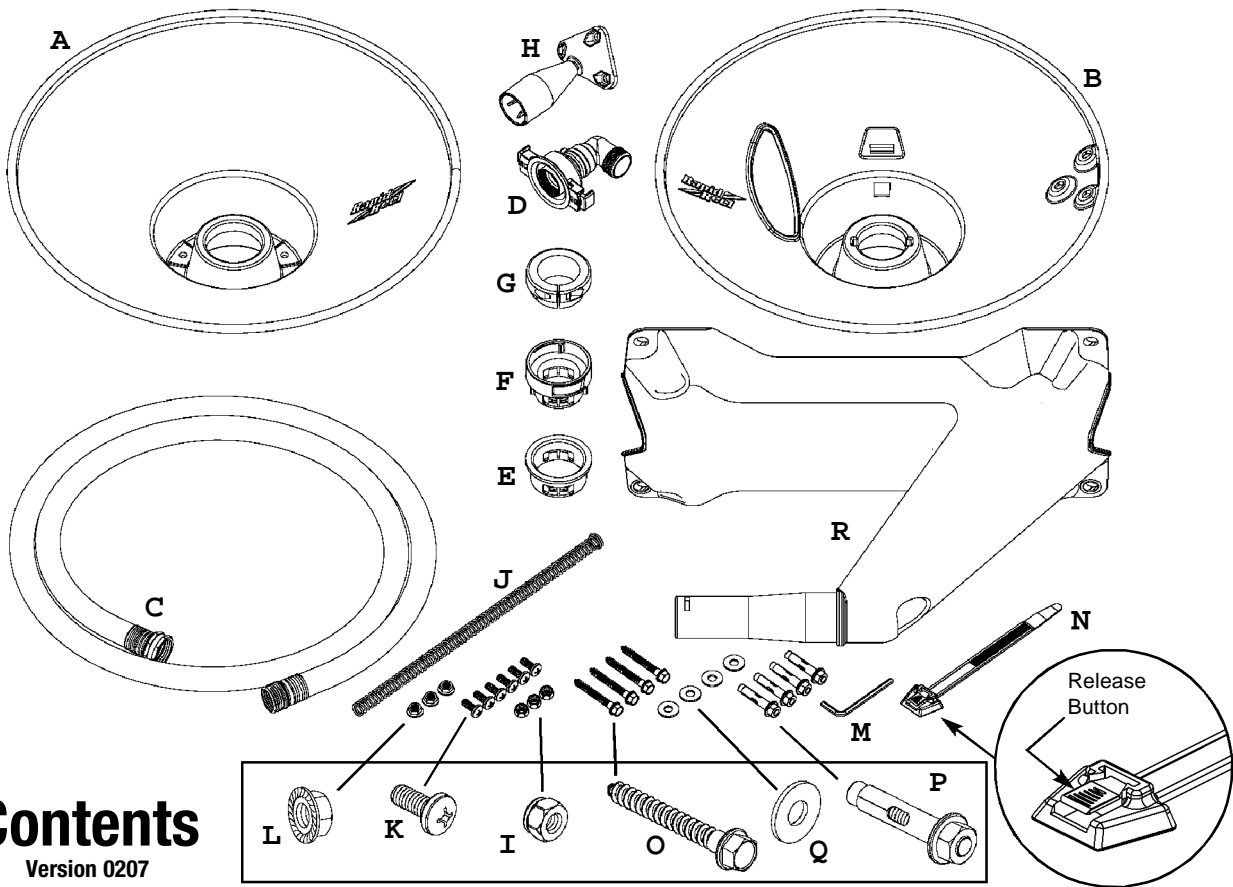
**Professional Garden Hose Reels**



**Perpendicular Wall Mount**

Model GH164-PD

**Assembly & Installation Instructions**




# Contents

Version 0207

| Ref. | Part #     | Qty. | Description         |
|------|------------|------|---------------------|
| A    | 0.4501.026 | 1    | Back Flange         |
| B    | 0.4501.025 | 1    | Front Flange        |
| C    | 0.4301.130 | 1    | Inlet Hose          |
| D    | 0.2005.018 | 1    | Swivel              |
| E    | 0.4202.037 | 1    | Back Bushing        |
| F    | 0.4202.036 | 1    | Front Bushing       |
| G    | 0.5001.166 | 1    | Adjustable Brake    |
| H    | 0.5001.165 | 1    | Crank Handle        |
| I    | 0.4102.014 | 3    | Nylon Insert Nut    |
| J    | 0.4209.019 | 1    | Kink-Free Spring    |
| K    | 0.4101.056 | 6    | 5/8" Phillips Screw |
| L    | 0.4102.017 | 3    | 1/4" Serrated Nut   |
| M    | 0.4209.018 | 1    | Hex Key             |
| N    | 0.4202.032 | 1    | Hose Strap          |
| O    | 0.4101.054 | 4    | Wood Screw          |
| P    | 0.4106.003 | 4    | Anchor Bolt         |
| Q    | 0.4103.014 | 4    | Wood Screw Washer   |
| R    | 0.4501.044 | 1    | PD Axle/ Wall Plate |

**Questions? Problems? Missing Parts?**

 **DO NOT** contact or return this item to the retailer.

Seek factory assistance using the information below.

Patent Pending

### Reel Specifications

5/8" Capacity .....150 feet  
 3/4" Capacity .....100 feet  
 Max. Temperature ....140° F  
 Max. Pressure .....100 PSI

*Reel capacities may vary depending on hose brand and style.*

**1-866-523-2363**

(toll free) MON- FRI, 8AM to 5PM (CST)

E-mail: [customerservice@rapidreel.com](mailto:customerservice@rapidreel.com)

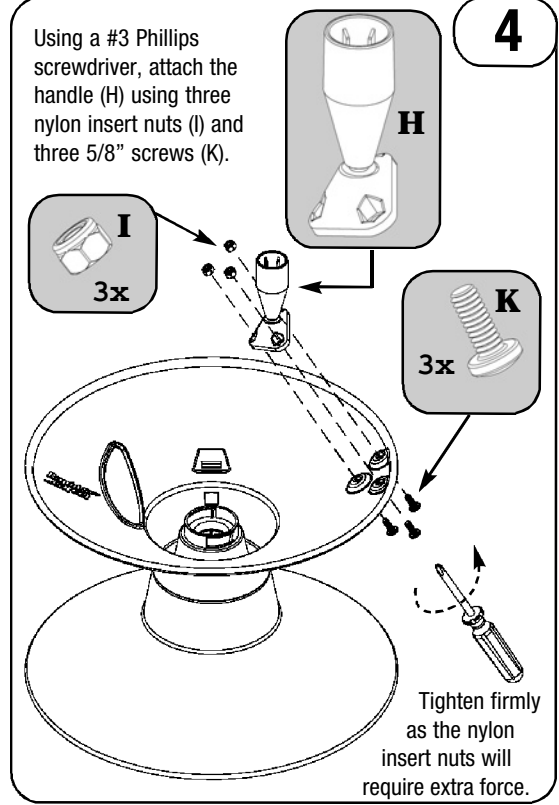
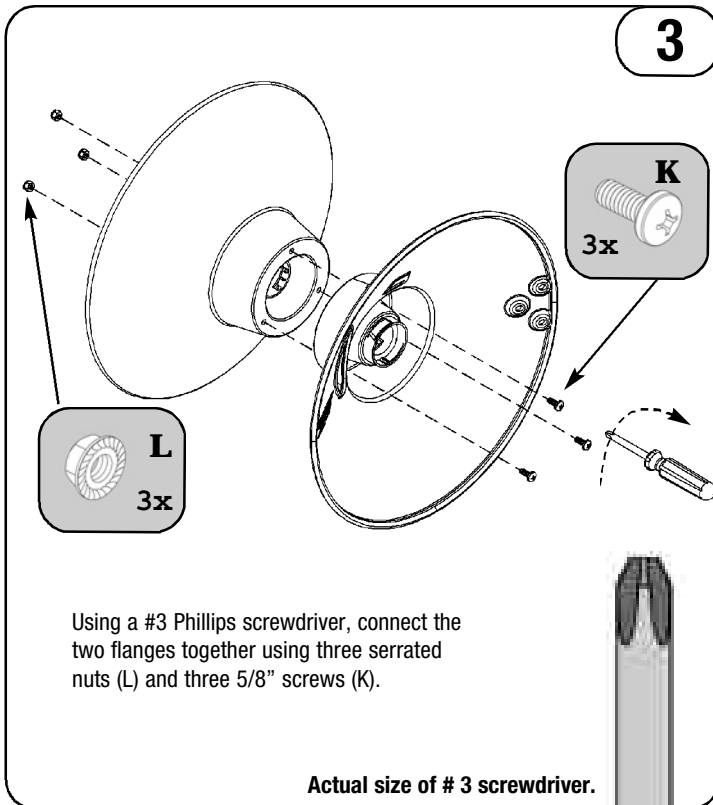
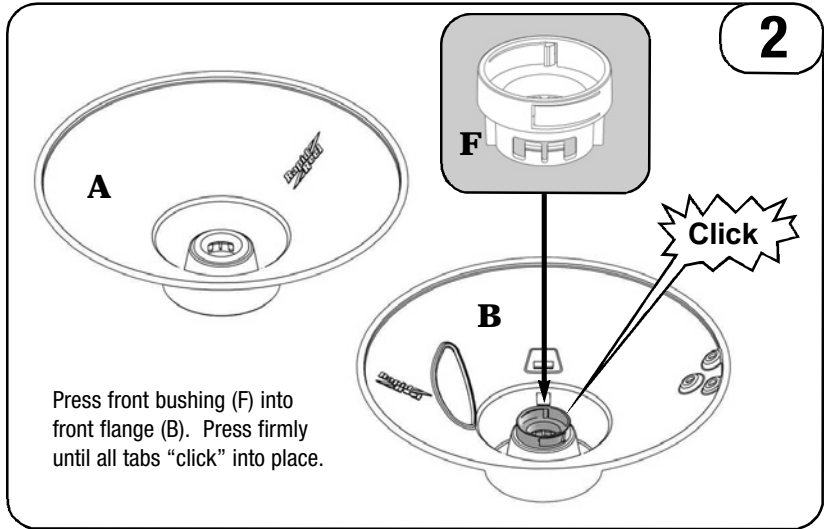
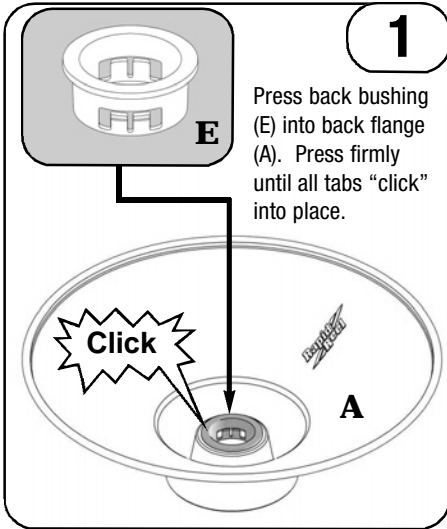
MON- FRI, 8AM to 5PM (CST)

Online: [www.rapidreel.com](http://www.rapidreel.com)

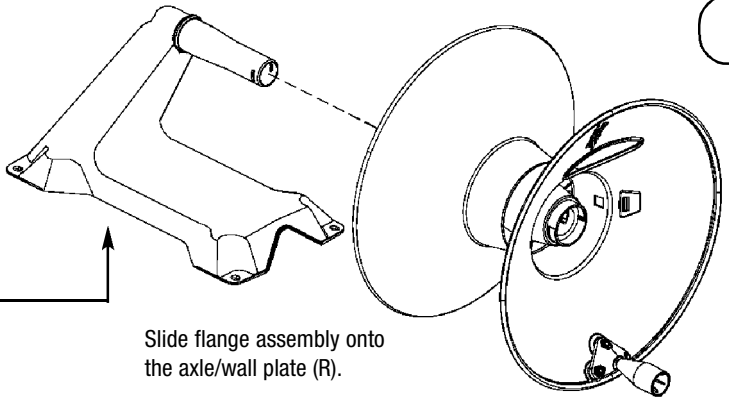
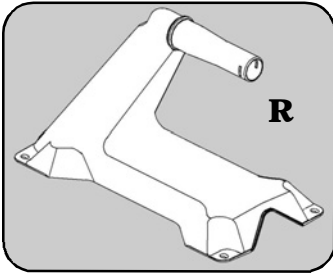
24/7/365

RapidReel®  
**TRITON**

# Reel Assembly

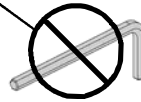
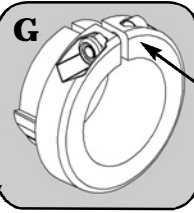
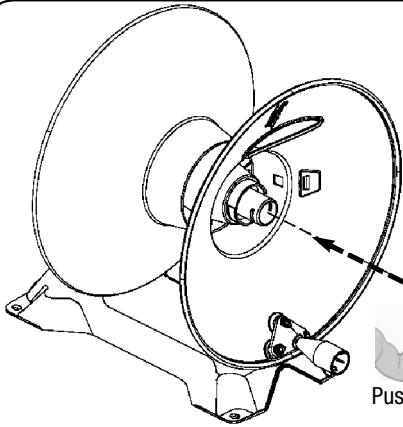


5



Slide flange assembly onto the axle/wall plate (R).

6

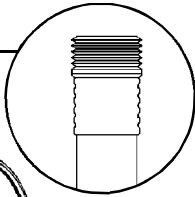
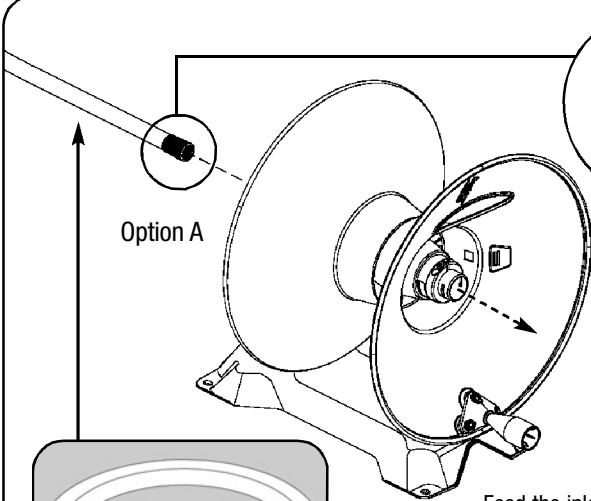


**DO NOT** tighten the brake at this time!

Firmly push the adjustable brake (G) onto the axle. Make sure it is fully seated into the front bushing.

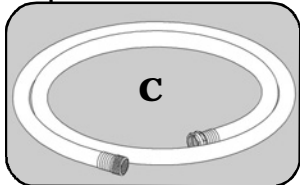
Push firmly

7

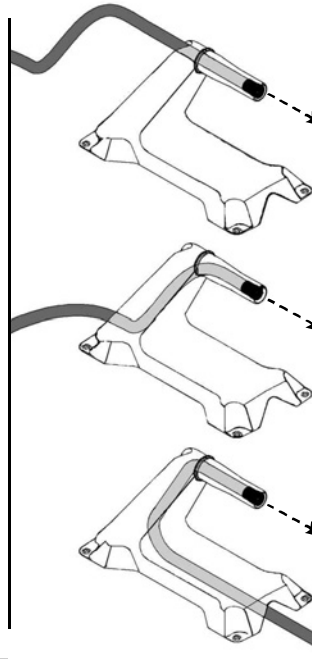


Feed the male end of the inlet hose through the axle.

Option A



Feed the inlet hose (C), through the axle. Depending on the location of your faucet, you have three inlet hose "feed" options. See diagrams at right.



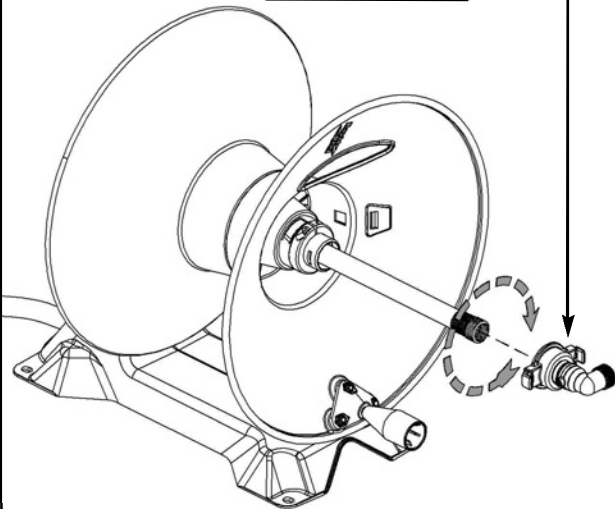
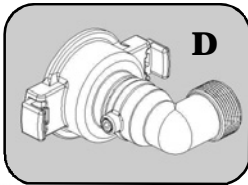
Option A

Option B

Option C

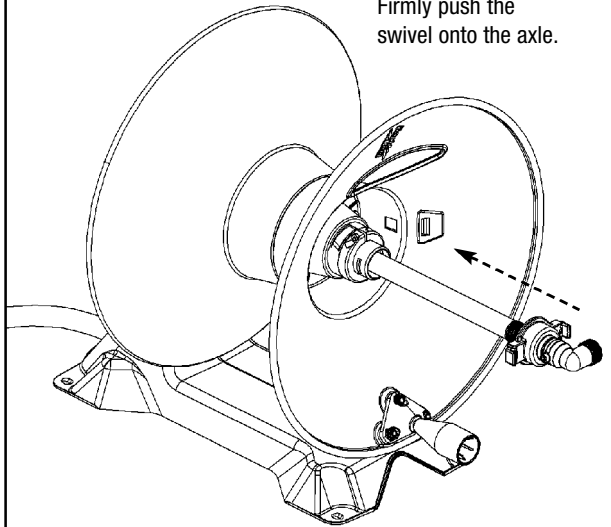
8

Attach swivel (D)  
to inlet hose.  
Hand tighten.  
No sealant required.

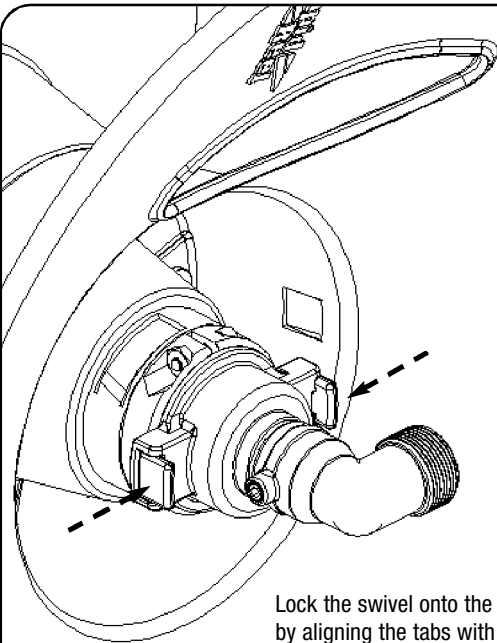


9

Firmly push the  
swivel onto the axle.



10

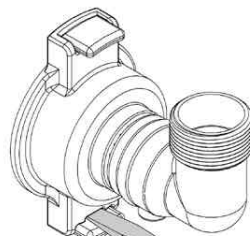


Lock the swivel onto the reel  
by aligning the tabs with the  
slots in the axle and then firmly  
press the tabs into the slots.

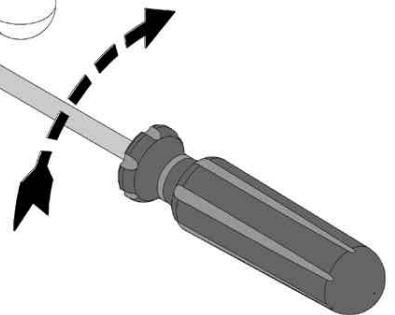
### Swivel Removal Procedure

**NOT the next step. For reference purposes only.**

If you need to remove the swivel once the tabs are engaged, you will need to use a standard screwdriver.



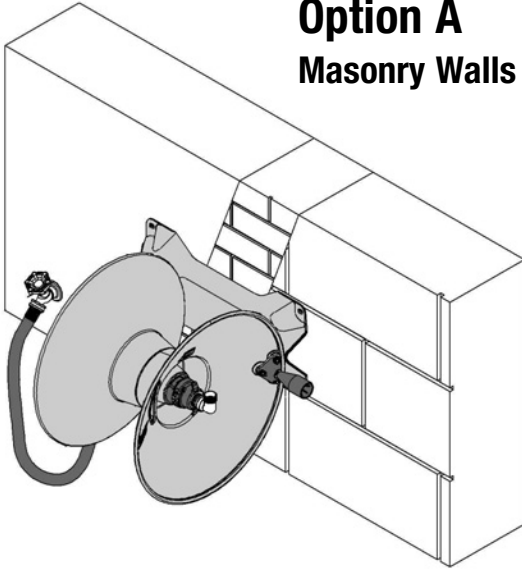
Simply place the screwdriver  
into the opening next to the tab  
and rotate 90° either direction.



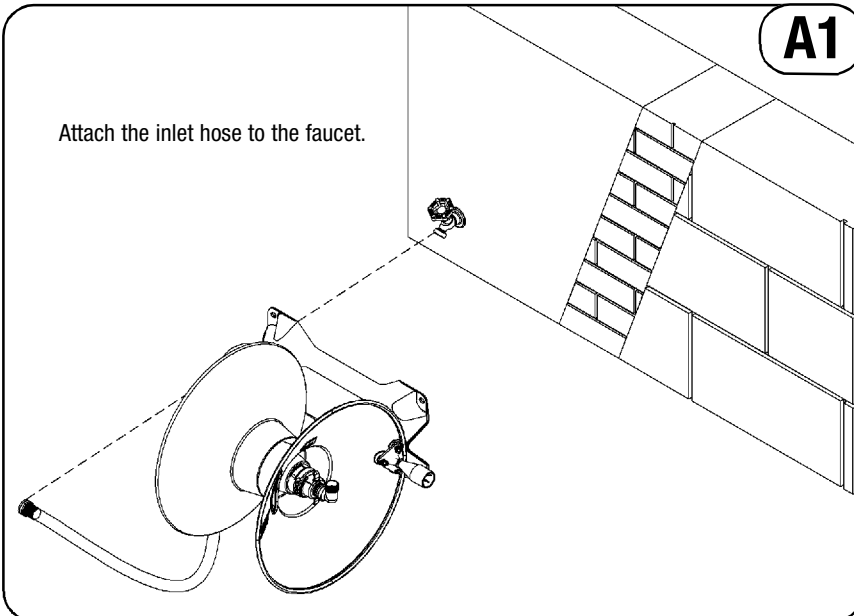
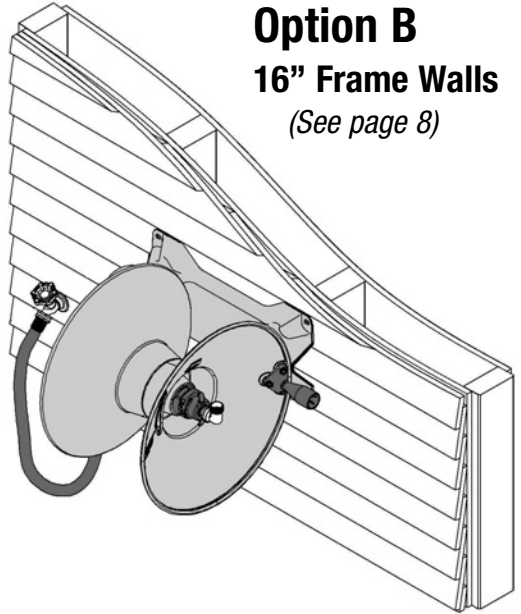
# TRITON

## Installation

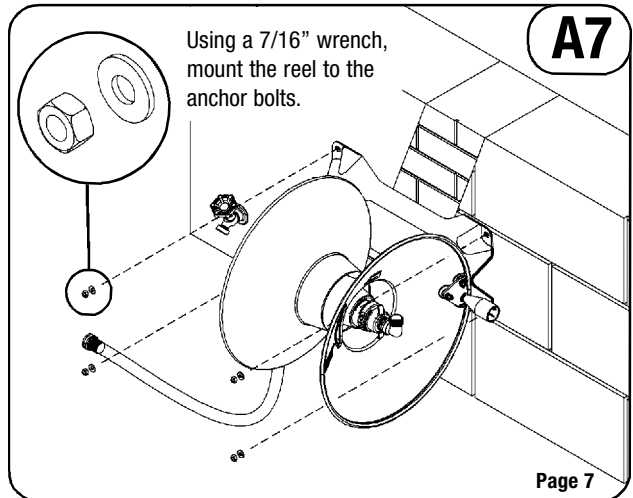
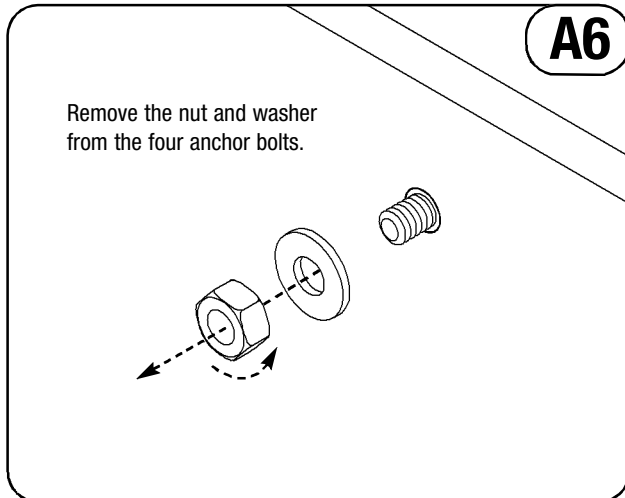
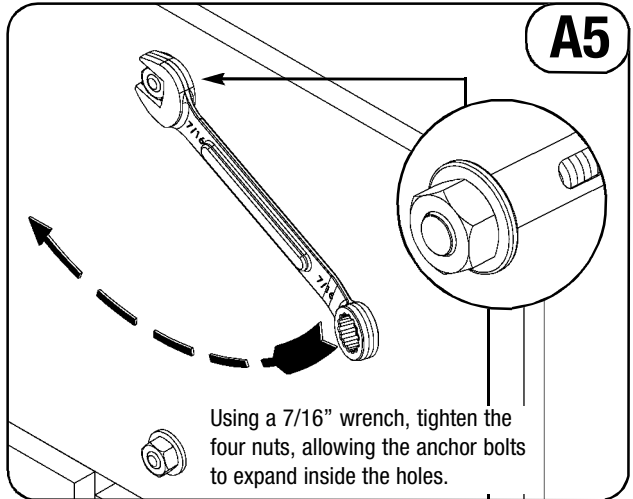
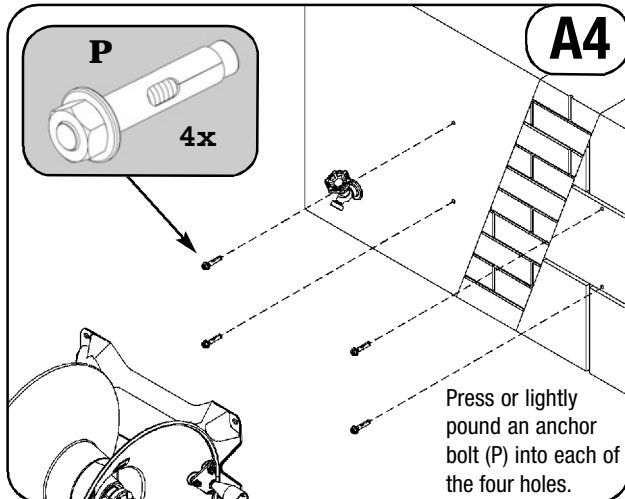
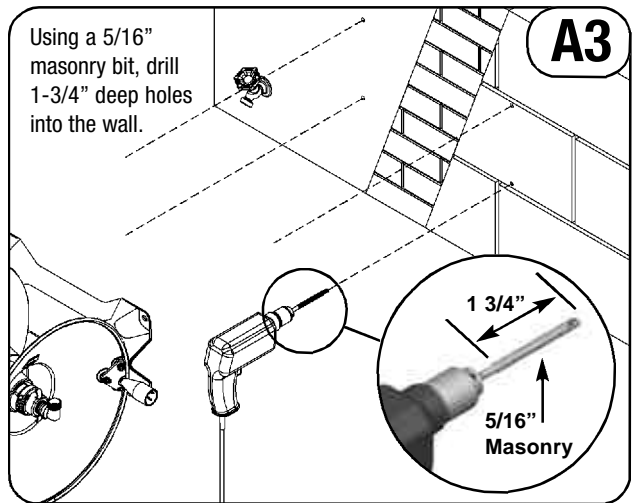
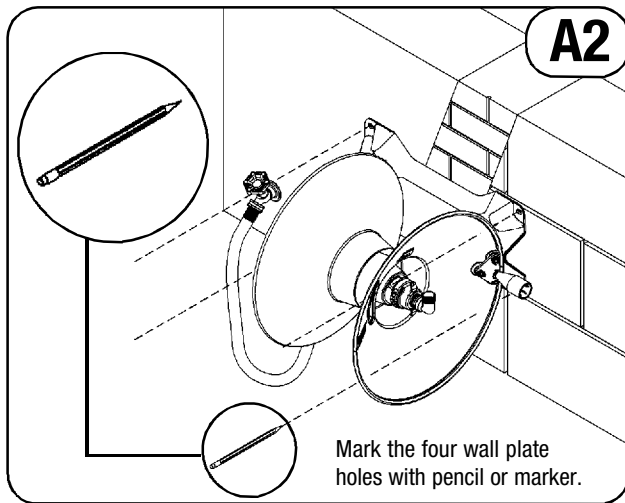
**Option A**  
Masonry Walls



**Option B**  
16" Frame Walls  
*(See page 8)*



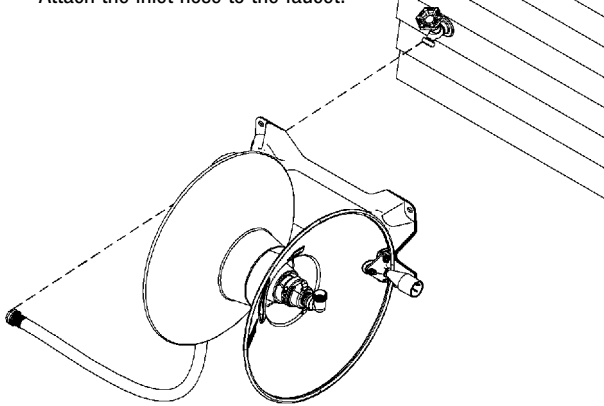
**Masonry Wall  
Installation**



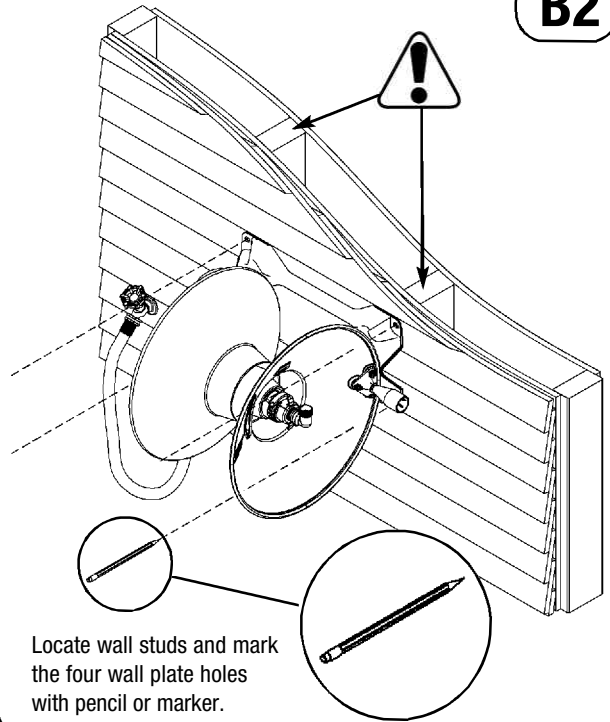
# 16" Frame Wall Installation

**B1**

Attach the inlet hose to the faucet.



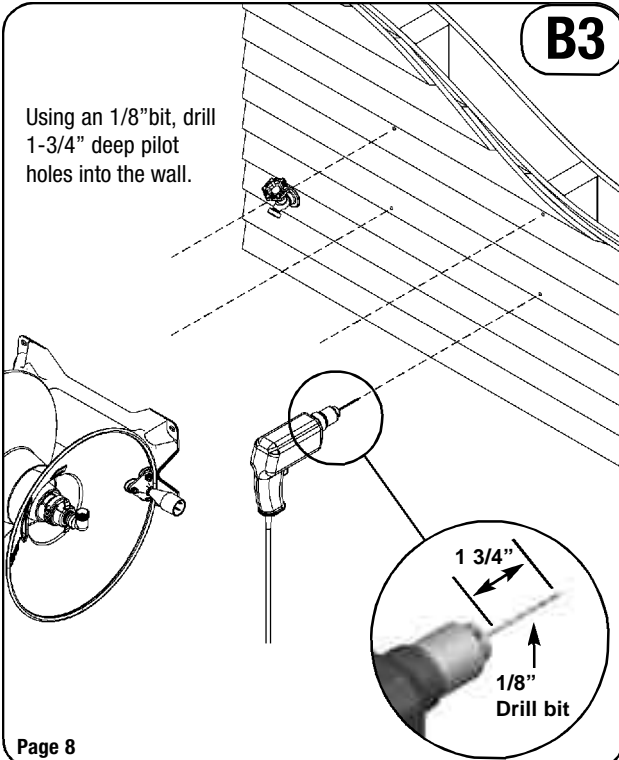
**B2**



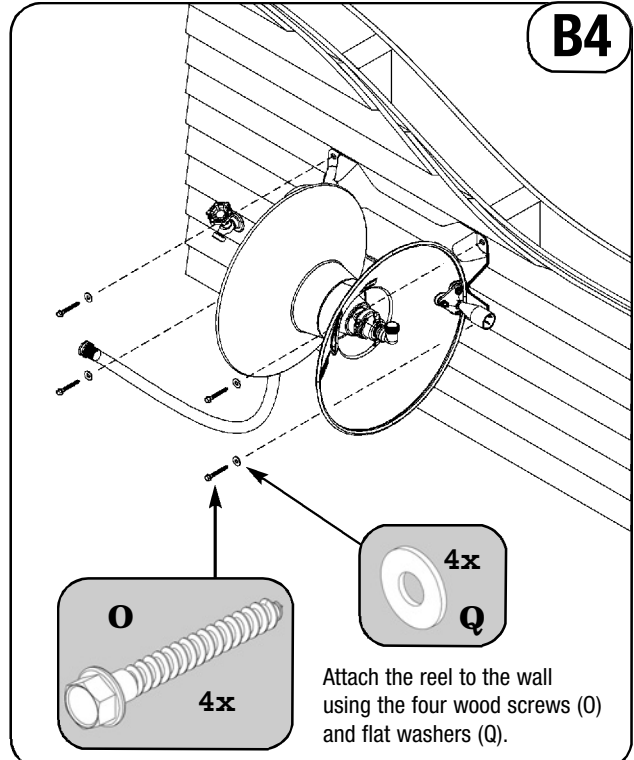
Locate wall studs and mark the four wall plate holes with pencil or marker.

**B3**

Using an 1/8" bit, drill 1-3/4" deep pilot holes into the wall.



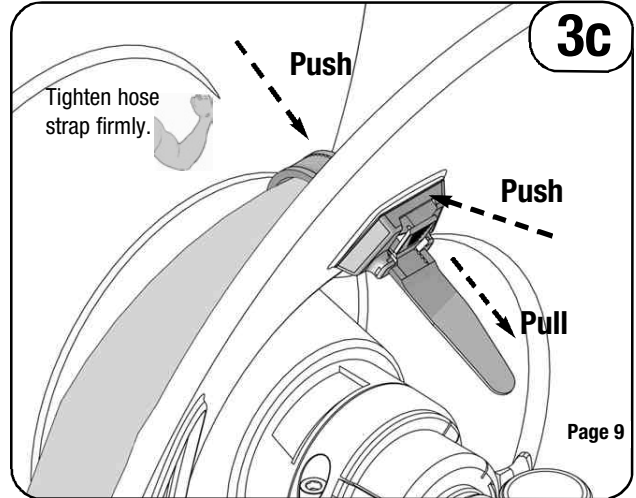
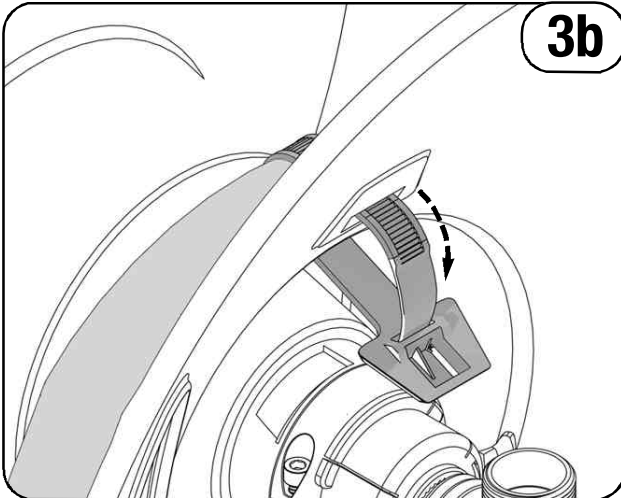
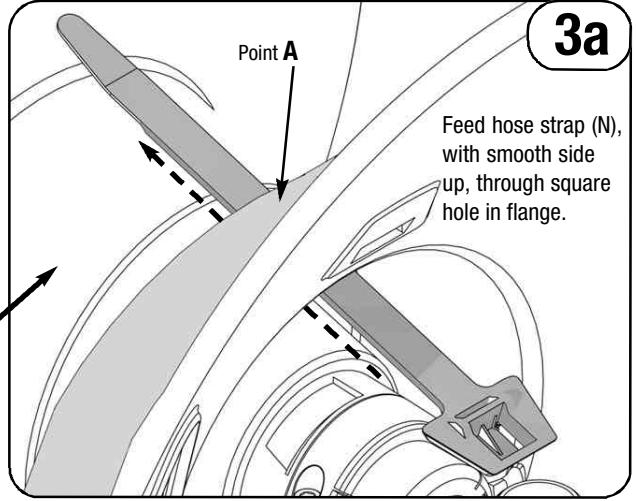
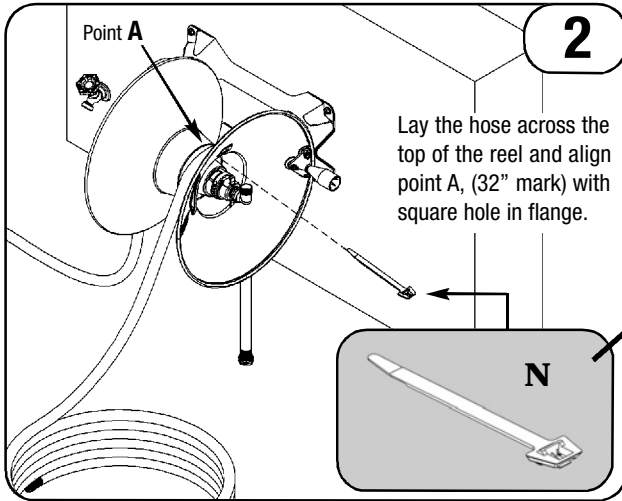
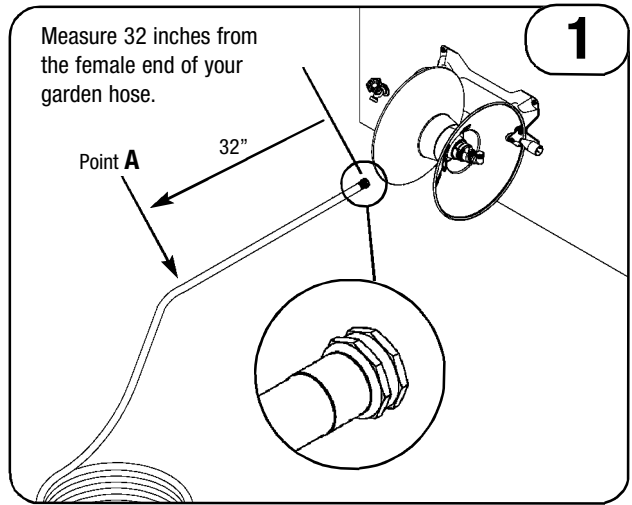
**B4**

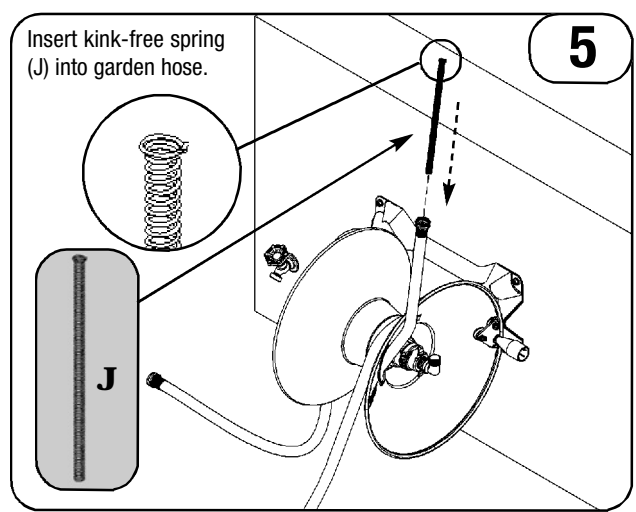
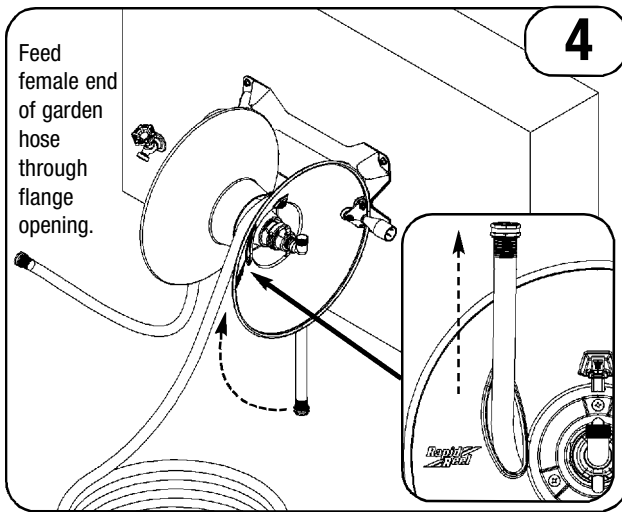


Attach the reel to the wall using the four wood screws (O) and flat washers (Q).

# RapidReel® TRITON

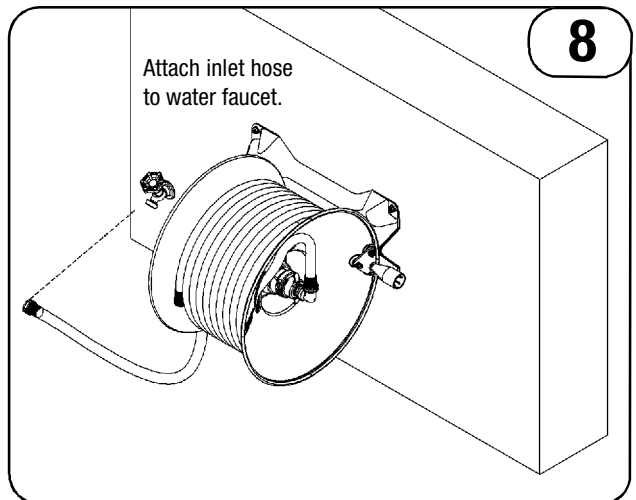
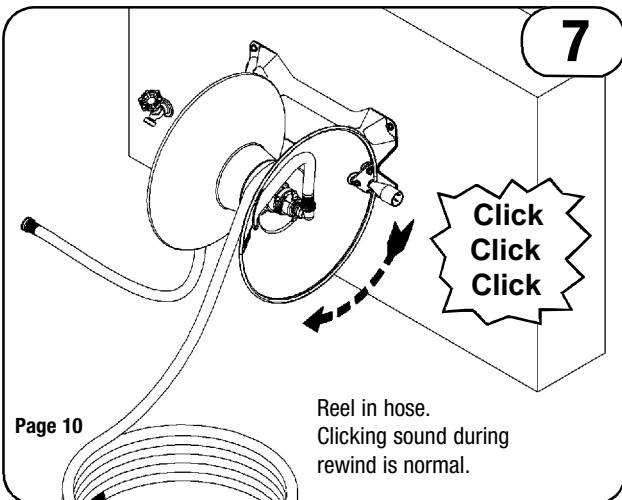
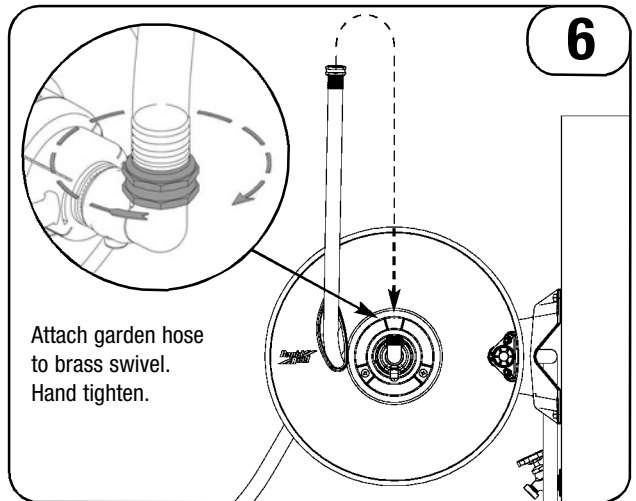
## Hose Attachment





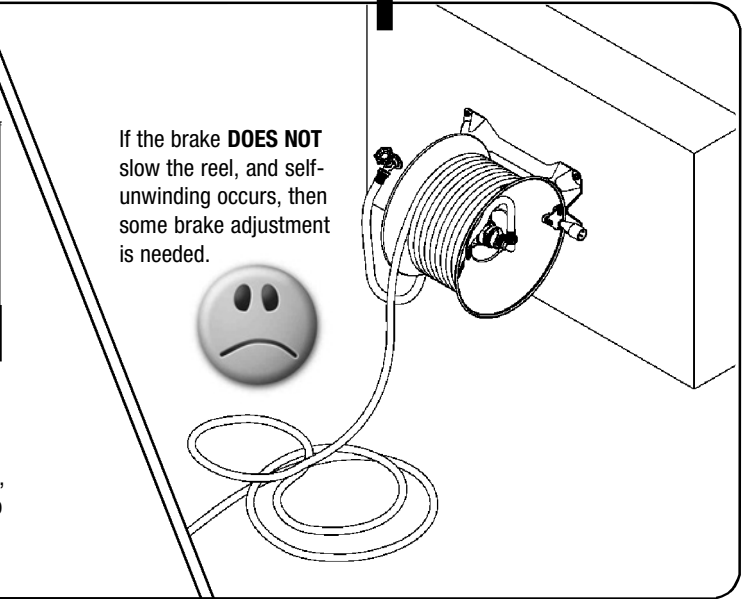
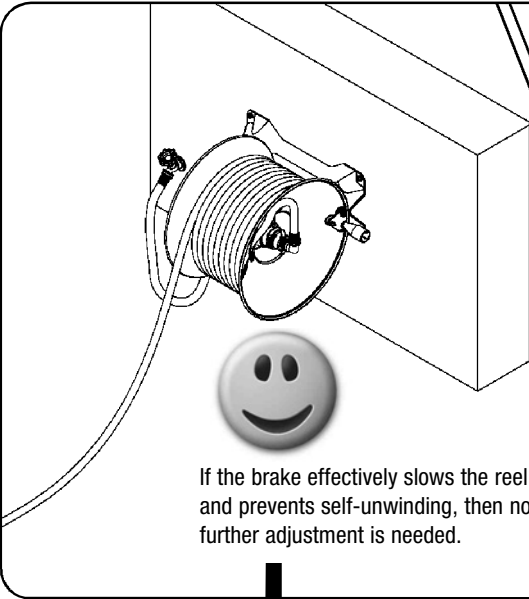
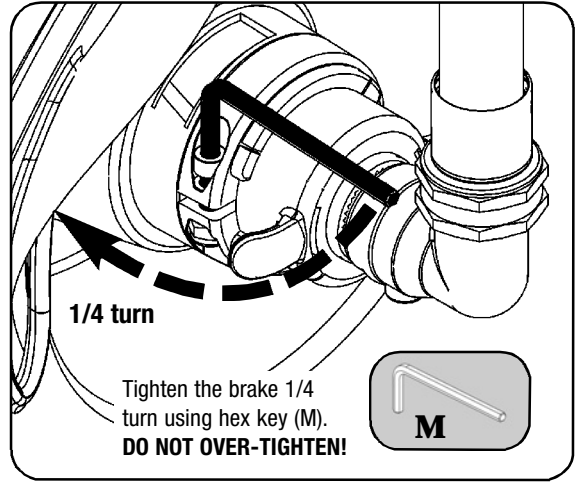
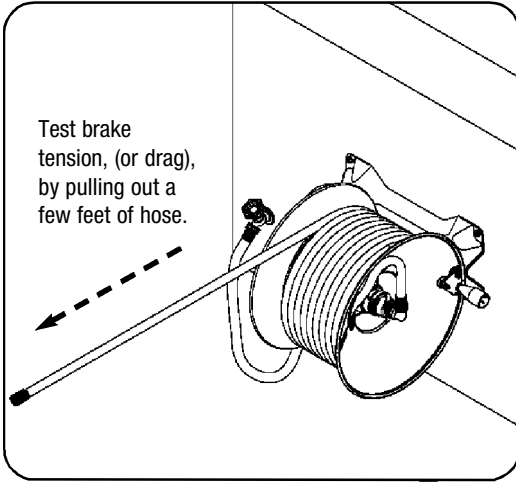
**NOTE:**

The Kink-Free Spring (J) is designed to prevent a hose kink during STEP 6. Rapid Reel currently supplies this one spring size which will fit into most 5/8" garden hoses. However, it may not fit into certain brands, such as Craftsman® hoses. Use of the spring is not required and TRITON reels are designed to operate properly without it. If the spring does not fit into your garden hose, simply use care during STEP 6 to avoid a hose kink. If you are going to purchase a new garden hose for the reel, we recommend that you take the spring with you while shopping to ensure it will slide into the hose.



# TRITON

## Brake Adjustment



**Congratulations! Assembly and installation are complete. Enjoy your hose reel.**

# RapidReel® TRITON

Professional Garden Hose Reels

**THANK YOU** for your purchase.

## WARRANTY REGISTRATION

Please take a few moments to secure your 10 year warranty by registering online.

[www.rapidreel.com/pr.aspx](http://www.rapidreel.com/pr.aspx)



## 10 Year Warranty

### Coverage

Rapid-Reel® and Reel Quick, Inc. (collectively here after referred to as the "warrantor"), guarantees this hose reel, components and parts, unless otherwise specified, to be free from defect, malfunction or failure in material, or workmanship, under normal use and service, for a period of 10 years (240 months). Warranty period starts from original invoice date.

### Hose

Hose supplied by warrantor carries a warranty of sixty (60) days from original invoice date of purchase. Hose is selected from reliable commercial sources and is recommended for application on the basis of data supplied by the manufacturer.

### Exemptions

Warranty does not cover leaking due to damage caused by the use of acid, harsh chemicals or mineral deposits. Warranty does not apply when products are used in excess of their rated capacities and design functions or under abnormal conditions. The effects of corrosion, and normal wear and tear are specifically excluded from this warranty. This warranty does not cover damage which occurs in shipment or failures which are caused by products not supplied by the warrantor or failures which result from accidents, mishandling, faulty installation, freezing, misuse or misapplication, abuse or neglect. Warranty is void if the product or any part thereof has been tampered with, altered or repaired by anyone other than warrantor or damage that is attributable to acts of God. The warrantor covers the replacement or credit of defective parts only and does not allow for field labor charges for removal, installation, analysis or travel expenses. In no event shall the warrantor or its suppliers be liable for any damages, whatsoever, arising out of the use of or inability to use this product. (Some states do not allow the exclusion of limitation of incidental or consequential damages, so the above limitation or exclusion may not apply to you). The warrantor and its suppliers disclaim all other expressed or implied warranties. Some states do not allow limitations on how long an implied warranty lasts, so the above limitation may not apply to you. This warranty gives you specific legal rights, and you may also have other rights which vary from state to state.